

StationBox® ALU

CARRIER CLASS

IP65 ALUMINIUM OUTDOOR ENCLOSURE

StationBox® ALU CARRIER CLASS is outdoor aluminium enclosure for wireless platforms and access points with extended number of ports. It directly supports installation of MikroTik RouterBoards RB435, RB433, RB411, RB711, RB911 and RB912, as well as Alix2, Alix3, Alix6 and other wireless platforms of choice.



TECHNICAL DATA

Materials	Body and Cover - Die Cast Aluminium Mounting plate - ABS plastic Bracket - PA6 high resistant plastic Hardware - Stainless Steel
Operating Temp.	-30 to +60 °C
Wind Survival	120 km/h
Environment Resistance	IP65
Mounting Diameter	50-70 mm (with supplied hose clamps)
Weight	2.2 Kg / 4.4 lbs – single piece incl. package 24 Kg / 53 lbs – carton (10 pcs)
Single Unit	Retail Package: 33 x 24 x 9,5 cm
10 Units	Carton Box: 99 x 35,5 x 26,5 cm

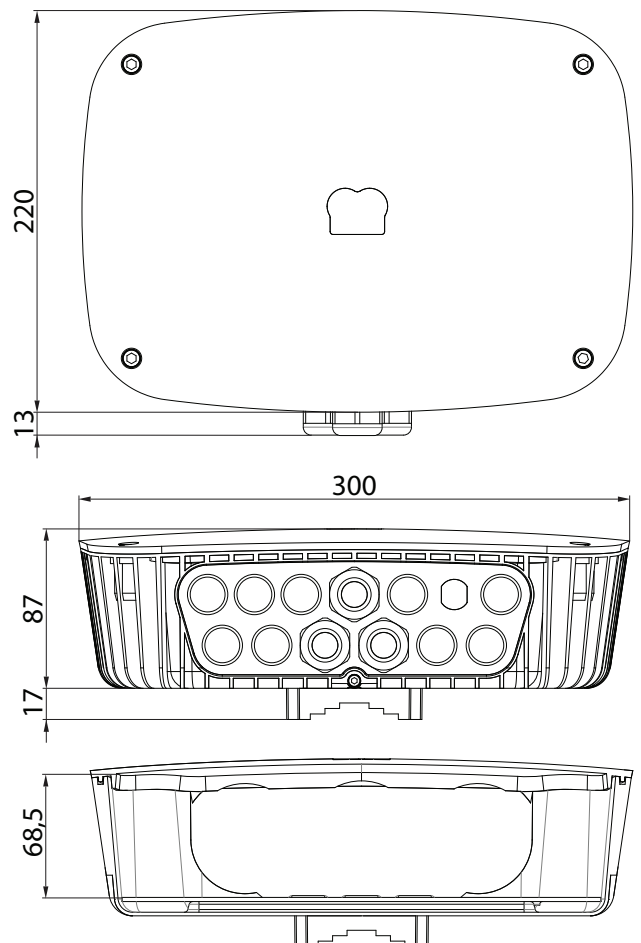
COMPATIBLE WIRELESS PLATFORMS

MikroTik™	RouterBoard™ RB912, RB911, RB711, RB435, RB433, RB411
Ubiquiti Networks™	RouterStation, RouterStation Pro
PC Engines	Alix2, Alix3, Alix6
Redwave	RW2458N
Other Manufacturers*	Simply drill the holes into plastic board and use suitable plastic spacers (sold separately)

PACKAGE CONTENTS

StationBox® ALU CARRIER CLASS
Mounting Bracket
Base Plate
Allen Key 3-5mm
2x Hose Clamp
4x Screw with Wall Plug
Set of Screws

PRODUCT DIMENSIONS



*Data package containing Base Plate Hole Dimensions drawing and maximum inner clearance height can be found in Download list